



VEHICLE INSPECTION REPORT

AP700ZC

Vauxhall Vivaro 2700 1.5d 120PS Edition H1 Van

nama
 GRADE
3

Inspection		Vehicle	
Serious Damage?	No	VAT	Plus VAT
		V5	Photocopy

Details

Reg. date	30/10/2020	Body Style	Panel Van	Last service miles	94,158
Year	2020	Keys	1	MOT Due	29/10/2026
Mileage	106,074 Miles Warranted	Service history	Yes	Gearbox	MANUAL
Fuel Type	Diesel	Service documents	Printout	Gears	6
Colour	WHITE	Number of stamps	4		
VIN	VXEVBVYHVKM7801647	Last service date	17/07/2025		

COPY OF PART V5 NO GREEN SLIP

Vehicle wrapped- actual colour white

Mileage of service in 2022 not recorded

Last service 17/07/2025 at 94,158 miles- 4 services Nsr door not closing properly

Tyres

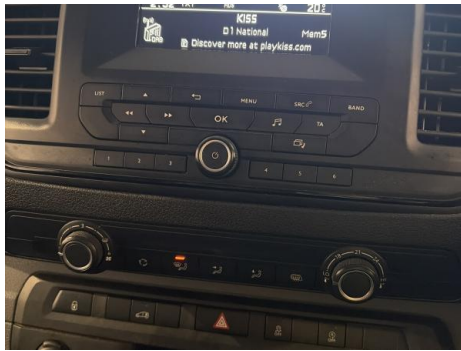
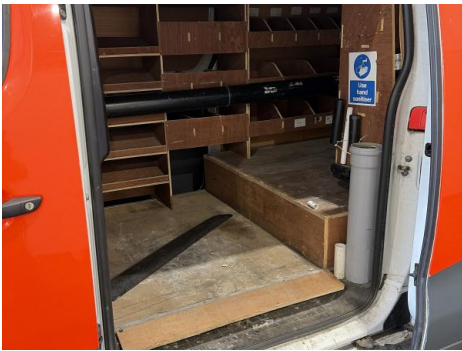
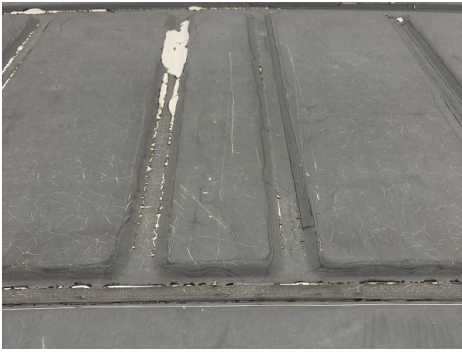
NSF	BUDGET	5.0mm
NSR	BUDGET	5.0mm
OSF	LANDSAIL	5.0mm
OSR	MAZZINI	6.0mm
Spare		

Features

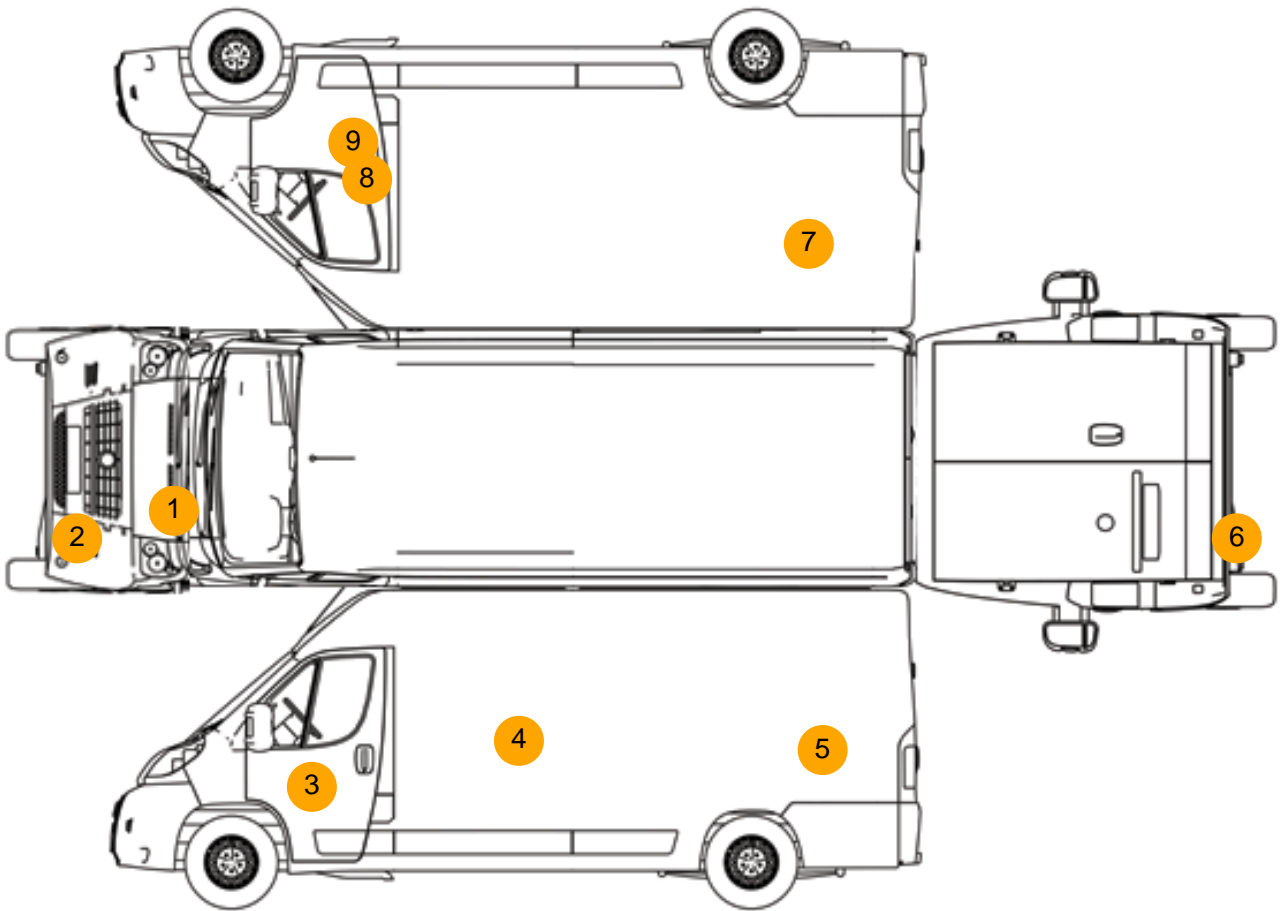
- Bluetooth connection
- Central locking
- Cruise control
- Partial leather seat trim
- Front electric windows
- Drivers airbag

Photos





Condition Check



Damage Photos



1: Bonnet
Scratched
UpTo 25mm Thru Paint



2: Bumper Front Moulding
Scuffed (Unpainted)
UpTo 100mm



3: Door nsf
Chipped
1 To 5



4: Door nsf
Dented
Over 30mm



5: Qtr Panel nsr
Dented
Over 30mm



6: Bumper Rear Moulding
Scuffed (Unpainted)
Up To 100mm



7: Qtr Panel osr
Dented
Between 10mm + 30mm



8: Door Mirror Assy osf
Broken
Replace



9: Door osf
Dented
With Paint Damage

10: Carpets Front
Broken
Replace

Interior

Carpet Condition Poor
Seat Condition Average

Upholstery Condition Average
Odour No

Vehicle Inspection Report

Disclaimer

Photographs, inspection reports and other descriptions are primarily for the use of customers using our LiveBid facility who are not able to attend the sale in person. Those who bid in person must satisfy themselves as to the condition of the vehicle before they bid; we cannot address post-sale issues which rely solely on our reports, descriptions and/or photographs.

Additional fees may apply to some vendors.

Please note buyers rate increase from 01/01/2025

Engine Runs	OK	Gearbox 1st and Reverse Test	OK
Brakes	OK	Clutch Slip Test from Static	OK
Turbo Boosting	OK	Gearbox Static Gear Selection (engine running)	OK
Parking Brake	OK	No Excessive Smoking	OK
EML light illuminated	OK	Oil warning light illuminated	OK
Airbag light illuminated	OK	DPF light illuminated	OK
ABS light illuminated	OK	Service indicator light illuminated	OK
Windows	OK	Radio	OK
		Steering	OK