



VEHICLE INSPECTION REPORT

GY63CZJ

Ford Transit D/Cab Chassis TDCi 100ps [DRW] Euro 5

Inspection		Vehicle	
Serious Damage?	No	VAT	Margin
		V5	TBC



Details

Reg. date	30/12/2013	Colour	WHITE	MOT Due	29/12/2026
Year	2013	VIN	WF0NXXTTFNDR06858	Gearbox	MANUAL
Mileage	83,875 Km Warranted	Body Style	Tipper	Gears	6
Fuel Type	Diesel	Keys	1		

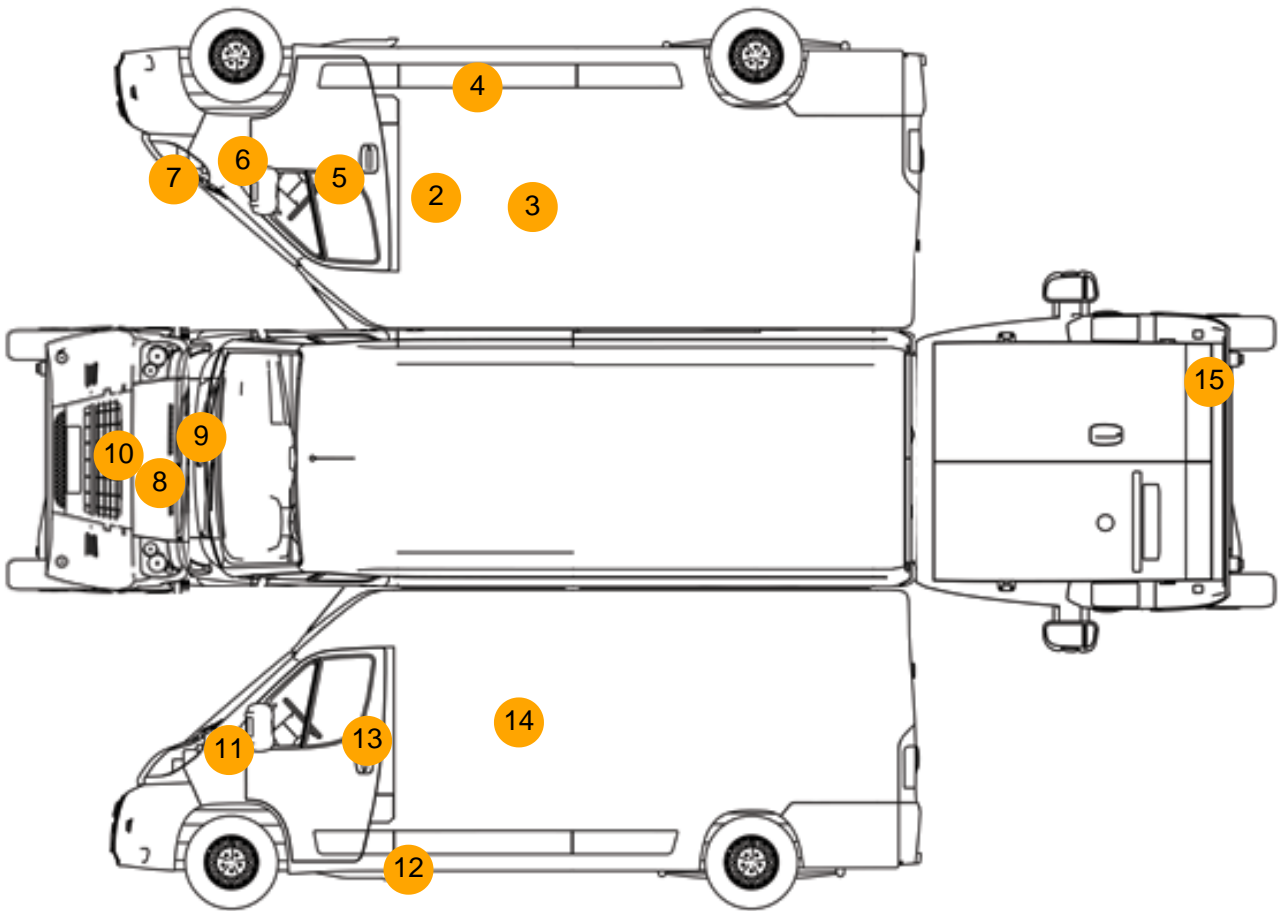
Tyres

NSF	BUDGET	5.0mm
NSR	BUDGET	5.0mm
OSF	BUDGET	Damaged
OSR	HIFLY	5.0mm
Spare		

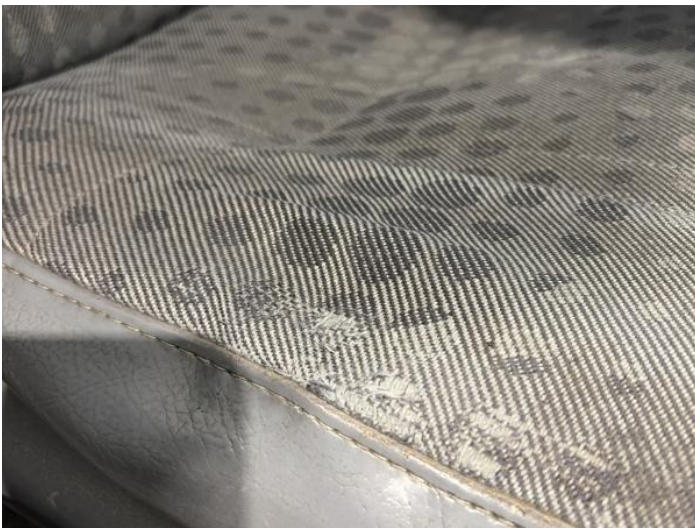
Features

- Radio/CD
- Front electric windows
- Drivers airbag
- Cloth seat trim

Condition Check



Damage Photos



1: Seat Base Cover osf
Scuffed
Over 25mm



2: B Post os
Rusted
Over 5mm



3: Door osr
Dented
With Paint Damage



4: Sill os
Rusted
Over 5mm



5: Door osf
Dented
With Paint Damage



6: Other
N/A
N/A



7: Wing osf
Chipped
1 To 5



8: Other
N/A
N/A



9: Bonnet
Chipped
Multiple Chips



10: Badgedecal Front
Missing
Replace



11: Wing nsf
Dented
Over 30mm



12: Sill ns
Scratched
Rusted



13: Door nsf
Dented
With Paint Damage



14: Door nsr
Dented
Over 30mm



15: Lamp nsr
Broken
Replace

16: Tyre osf
Damaged
Replace

Interior

Carpet Condition Average
Seat Condition Average

Upholstery Condition Average
Odour No

Vehicle Inspection Report

Disclaimer

Photographs, inspection reports and other descriptions are primarily for the use of customers using our LiveBid facility who are not able to attend the sale in person. Those who bid in person must satisfy themselves as to the condition of the vehicle before they bid; we cannot address post-sale issues which rely solely on our reports, descriptions and/or photographs.

Additional fees may apply to some vendors.

Please note buyers rate increase from 01/01/2025

Engine Runs	OK	Gearbox 1st and Reverse Test	OK
Brakes	OK	Clutch Slip Test from Static	OK
Parking Brake	OK	Gearbox Static Gear Selection (engine running)	OK
		No Excessive Smoking	OK
EML light illuminated	OK	Oil warning light illuminated	OK
Airbag light illuminated	OK	DPF light illuminated	OK
ABS light illuminated	OK	Service indicator light illuminated	OK
Windows	OK	Radio	OK
		Steering	OK