



# VEHICLE INSPECTION REPORT

**YR13NBB**

## Ford Transit Medium Roof 17 Seater TDCi 135ps



Inspection		Vehicle	
Serious Damage?	No	VAT	Plus VAT
		V5	Present

### Details

Reg. date	27/06/2013	VIN	WF0DXXTTFDDJ42516	Number of stamps	6
Year	2013	Body Style	Minibus	Last service date	07/07/2025
Mileage	103,742 Miles Warranted	Keys	2	MOT Due	22/08/2026
Fuel Type	DIESEL	Service history	Yes	Gearbox	MANUAL
Colour	MULTI-COLOURED	Service documents	Printout		

Last service 07/07/2025 mileage not recorded- 6 services  
 Multiple safety inspections

### Tyres

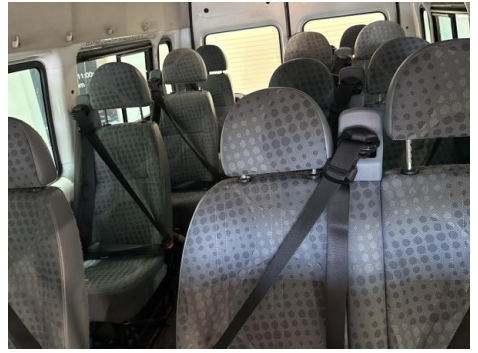
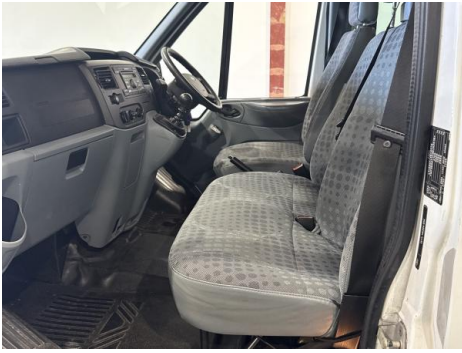
NSF	TOYO	6.0mm
NSR	BARUM	6.0mm
OSF	TOYO	6.0mm
OSR	TOYO	6.0mm
Spare		

### Features

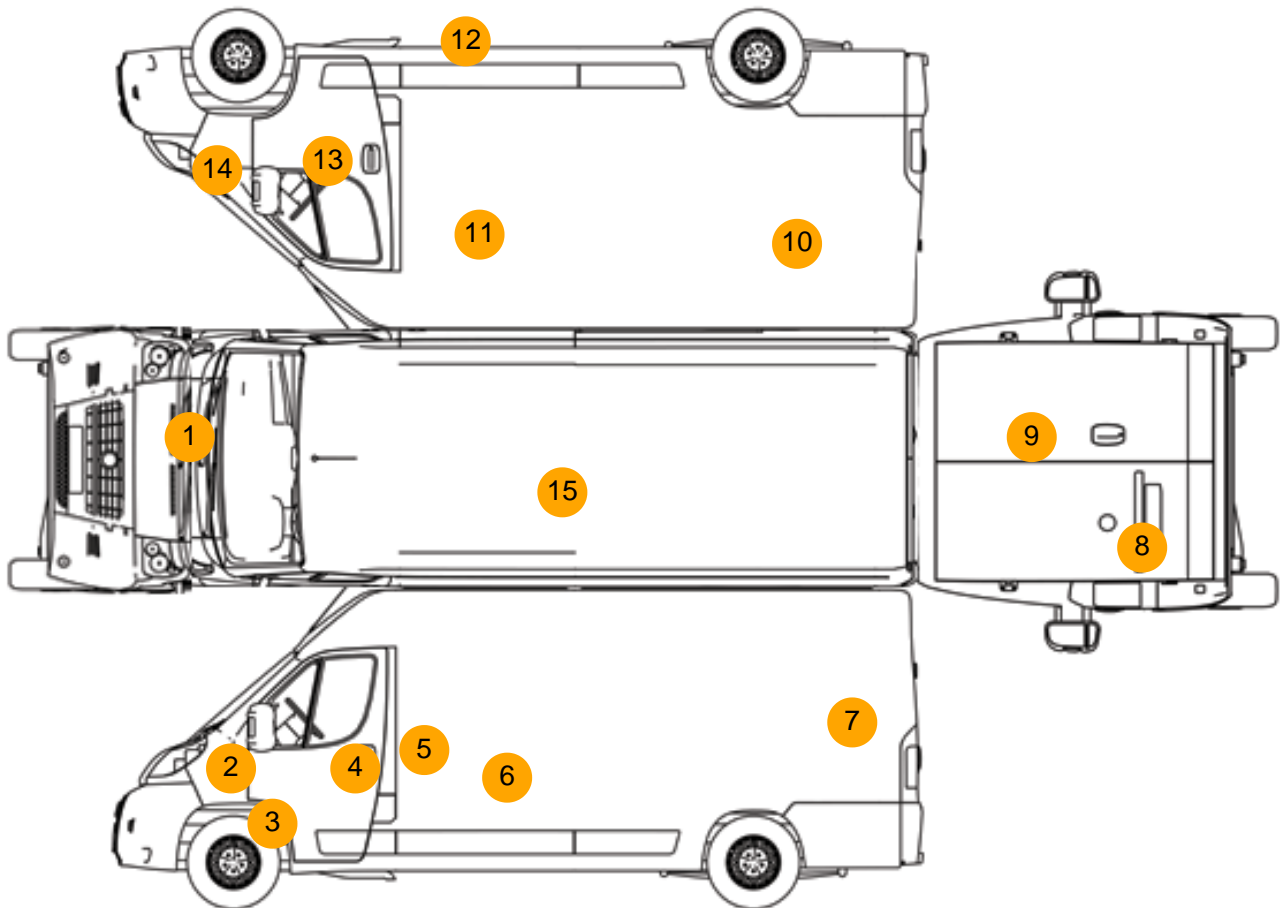
- Radio/CD
- Front electric windows
- Drivers airbag
- Passenger airbag
- Central locking
- Cloth seat trim

### Photos





## Condition Check



## Damage Photos



1: Bonnet  
Scratched  
Over 25mm Thru Paint



2: Wing nsf  
Dented  
With Paint Damage



3: Wing nsf  
Rusted  
Over 5mm



4: Door nsf  
Scratched  
UpTo 25mm Thru Paint



5: B Post ns  
Rusted  
Over 5mm



6: Door nsr  
Dented  
With Paint Damage



7: Qtr Panel nsr  
Dented  
With Paint Damage



8: Badgedecal Rear  
Missing  
Replace



9: Tailgate  
Dented  
With Paint Damage



10: Qtr Panel osr  
Dented  
Over 30mm



11: Panel Front  
Rusted  
Over 5mm



12: Sill os  
Rusted  
Over 5mm



13: Door osf  
Dented  
With Paint Damage



14: Wing osf  
Rusted  
Over 5mm



15: Roof  
Dented  
Over 30mm

**Interior**

**Carpet Condition**  
**Seat Condition**

Average  
Average

**Upholstery Condition**  
**Odour**

Average  
No

**Vehicle Inspection Report**

**Disclaimer**

Photographs, inspection reports and other descriptions are primarily for the use of customers using our LiveBid facility who are not able to attend the sale in person. Those who bid in person must satisfy themselves as to the condition of the vehicle before they bid; we cannot address post-sale issues which rely solely on our reports, descriptions and/or photographs.

Additional fees may apply to some vendors.

Please note buyers rate increase from 01/01/2025

Engine Runs	OK	Gearbox 1st and Reverse Test	OK
Brakes	OK	Clutch Slip Test from Static	OK
Turbo Boosting	OK	Gearbox Static Gear Selection (engine running)	OK
Parking Brake	OK	No Excessive Smoking	OK
EML light illuminated	OK	Oil warning light illuminated	OK
Airbag light illuminated	OK	DPF light illuminated	OK
ABS light illuminated	OK	Service indicator light illuminated	OK
Windows	OK	Radio	OK
		Steering	OK