

# VEHICLE INSPECTION REPORT

**EN66CXS**

## Ford Ranger Pick Up Double Cab Wildtrak 3.2 TDCi 200 Auto

nama  
 GRADE  
**3**

Inspection		Vehicle	
Serious Damage?	No	VAT	Margin
		V5	Present

### Details

Reg. date	31/12/2016	VIN	6FPPXXMJ2PGE04275	MOT Due	22/11/2026
Year	2016	Body Style	Pick-up	Gearbox	AUTOMATIC
Mileage	180,217 Miles Warranted	Keys	2	Gears	6
Fuel Type	DIESEL	Service history	Yes		
Colour	BLACK	Service documents	Service Book		

last service 3/2/25 @ 175,362 miles (10 services) Park pilot malfunction message displayed

### Tyres

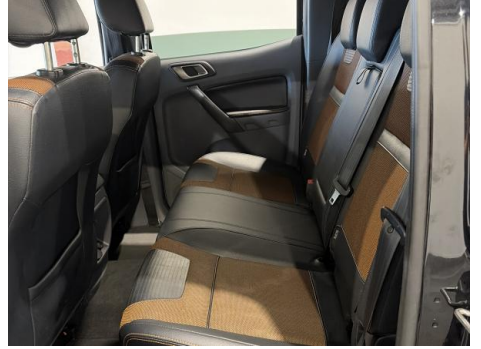
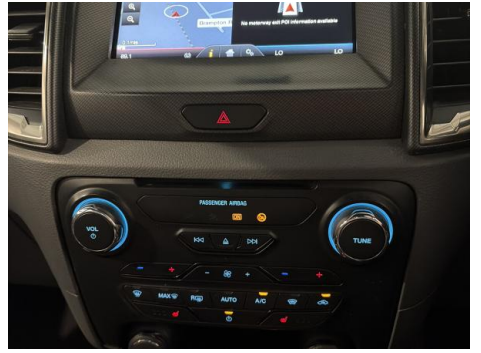
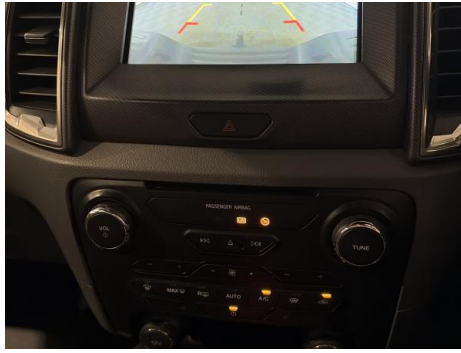
NSF	COMFORSER	8.0mm
NSR	COMFORSER	8.0mm
OSF	COMFORSER	8.0mm
OSR	COMFORSER	8.0mm
Spare		

### Features

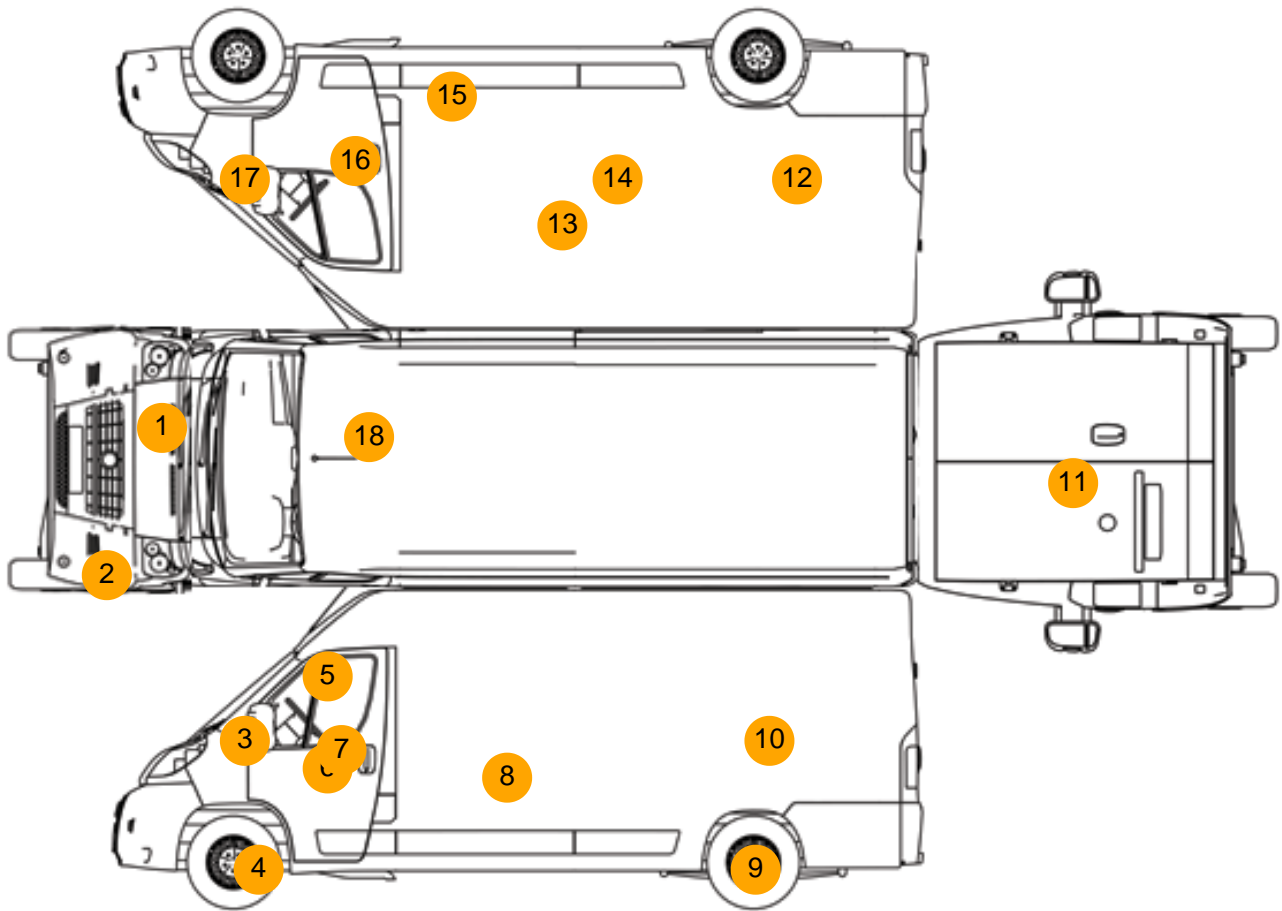
- Bluetooth connection
- Navigation system
- Air conditioning
- Drivers airbag
- Cruise control
- Park assist camera
- Front electric windows
- Passenger airbag
- Front parking sensor
- Rear parking sensor
- Rear electric windows
- Central locking
- Heated front seat
- Digital radio
- Metallic Paint
- Partial leather seat trim

### Photos





## Condition Check



## Damage Photos



1: Bonnet  
Scratched  
Over 25mm Thru Paint



2: Bumper Front  
Scratched  
25 to 100mm Thru Paint



3: Wing nsf  
Scratched  
Over 25mm Thru Paint



4: Wheel nsf  
Scratched  
Over 50mm



5: A Post ns  
Chipped  
1 To 5



6: Door nsf  
Dented  
Between 10mm + 30mm



7: Door nsf  
Chipped  
1 To 5



8: Door nsr  
Chipped  
1 To 5



9: Wheel nsr  
Scratched  
Up To 50mm



10: Qtr Panel nsr  
Chipped  
Over 5mm



11: Tailgate  
Chipped  
1 To 5



12: Qtr Panel osr  
Poor Previous Repair  
Poor Paint



13: Door osr  
Scratched  
Over 25mm Thru Paint



14: C Post os  
Scratched  
Up To 25mm Thru Paint



15: Sill os  
Scratched  
Over 25mm Thru Paint



16: Door osf  
Chipped  
1 To 5



17: Wing osf  
Chipped  
Multiple Chips



18: Roof  
Rusted  
Over 5mm

**Interior**

**Carpet Condition** Average  
**Seat Condition** Average

**Upholstery Condition** Average  
**Odour** No

**Vehicle Inspection Report**

**Disclaimer**

Photographs, inspection reports and other descriptions are primarily for the use of customers using our LiveBid facility who are not able to attend the sale in person. Those who bid in person must satisfy themselves as to the condition of the vehicle before they bid; we cannot address post-sale issues which rely solely on our reports, descriptions and/or photographs.

Additional fees may apply to some vendors.

Please note buyers rate increase from 01/01/2025

Engine Runs	OK	Gearbox 1st and Reverse Test	OK
Brakes	OK	Gearbox Static Gear Selection (engine running)	OK
Turbo Boosting	OK	No Excessive Smoking	OK
Parking Brake	OK		

EML light illuminated	OK	Oil warning light illuminated	OK
Airbag light illuminated	OK	DPF light illuminated	OK
ABS light illuminated	OK	Service indicator light illuminated	OK
Windows	OK	Radio	OK
Sat nav	OK	Steering	OK