

VEHICLE INSPECTION REPORT

WK15SGX

Peugeot Bipper 1.3 HDi 75 Professional [non Start/Stop]

nama
GRADE
3

| Inspection | | Vehicle | |
|-----------------|----|---------|---------|
| Serious Damage? | No | VAT | Margin |
| | | V5 | Present |

Details

| | | | | | |
|-----------|----------------------------|-------------------|------------|--------------------|------------|
| Reg. date | 27/03/2015 | Body Style | Panel Van | Last service miles | 130,974 |
| Year | 2015 | Keys | 1 | MOT Due | 28/07/2026 |
| Mileage | 132,910 Miles Warranted | Service history | Yes | Gearbox | MANUAL |
| Fuel Type | DIESEL | Service documents | Printout | Gears | 5 |
| Colour | GREY | Number of stamps | 1 | | |
| VIN | VF3AAFHZ0E8532290 | Last service date | 27/03/2026 | | |

last service 27/3/26 @ 130,974 miles (1 service)

Tyres

| | | |
|-------|-------------|-------|
| NSF | FALKEN | 4.0mm |
| NSR | CONTINENTAL | 4.0mm |
| OSF | BUDGET | 4.0mm |
| OSR | MICHELIN | 5.0mm |
| Spare | | |

Features

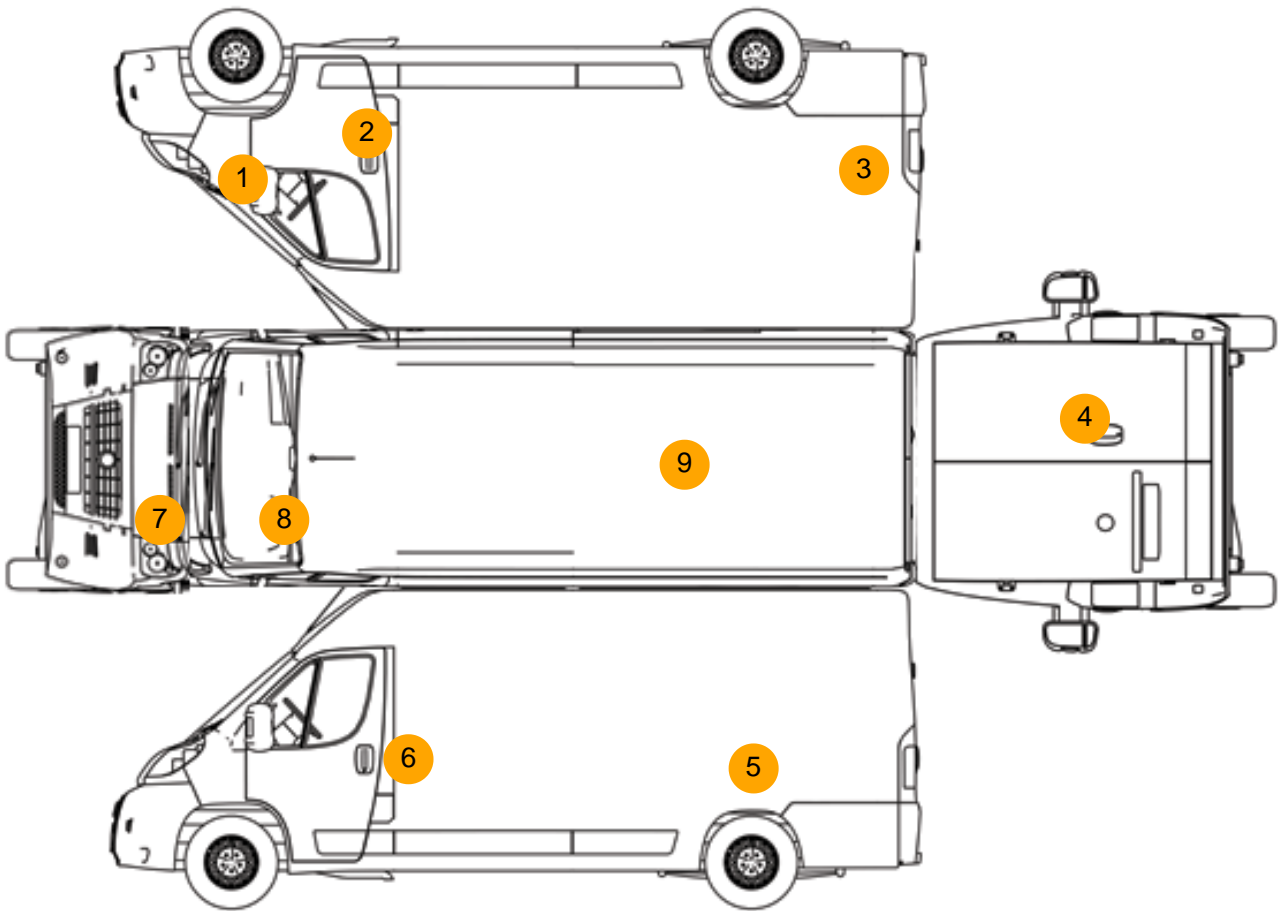
- Radio/CD
- Drivers airbag
- Air conditioning
- Passenger airbag
- Front electric windows
- Central locking
- Metallic Paint
- Cloth seat trim

Photos





Condition Check



Damage Photos



1: Wing of
Chipped
1 To 5



2: Door of
Dented
With Paint Damage



3: Qtr Panel osr
Scratched
Over 25mm Thru Paint



4: Tailgate
Scratched
Over 25mm Thru Paint



5: Door nsr
Chipped
1 To 5



6: Door nsf
Chipped
Edge Chip



7: Bonnet
Chipped
Multiple Chips



8: Screen Front
Cracked
Replace



9: Roof
Dented
Over 30mm

10: Seat Base Cover nsf
Holed
Over 3mm

Interior

Carpet Condition Average
Seat Condition Average

Upholstery Condition Average
Odour No

Vehicle Inspection Report

Disclaimer

Photographs, inspection reports and other descriptions are primarily for the use of customers using our LiveBid facility who are not able to attend the sale in person. Those who bid in person must satisfy themselves as to the condition of the vehicle before they bid; we cannot address post-sale issues which rely solely on our reports, descriptions and/or photographs.

Additional fees may apply to some vendors.

Please note buyers rate increase from 01/01/2025

| | | | |
|--------------------------|----|--|----|
| Engine Runs | OK | Gearbox 1st and Reverse Test | OK |
| Brakes | OK | Clutch Slip Test from Static | OK |
| Turbo Boosting | OK | Gearbox Static Gear Selection (engine running) | OK |
| Parking Brake | OK | No Excessive Smoking | OK |
| EML light illuminated | OK | Oil warning light illuminated | OK |
| Airbag light illuminated | OK | DPF light illuminated | OK |
| ABS light illuminated | OK | Service indicator light illuminated | OK |
| Windows | OK | Radio | OK |
| | | Steering | OK |