

VEHICLE INSPECTION REPORT

EY14NXR

Vauxhall Combo 2000 1.3 CDTI 16V ecoFLEX H1 Van

nama
 GRADE
3

Inspection		Vehicle	
Serious Damage?	No	VAT	Plus VAT
		V5	TBC

Details

Reg. date	30/06/2014	VIN	W0L6ZYC1AE9548040	CAP Average	£630.00
Year	2014	Body Style	Panel Van	CAP Below	£450.00
Mileage	124,039 Miles Warranted	Keys	1	Gearbox	MANUAL
Fuel Type	Diesel	MOT Due	30/06/2026	Gears	5
Colour	WHITE	CAP Clean	£770.00	Doors	5

Tyres

NSF	SAILUN	5.0mm
NSR	GT RADIAL	6.0mm
OSF	GT RADIAL	5.0mm
OSR	GOODYEAR	5.0mm
Spare		

Features

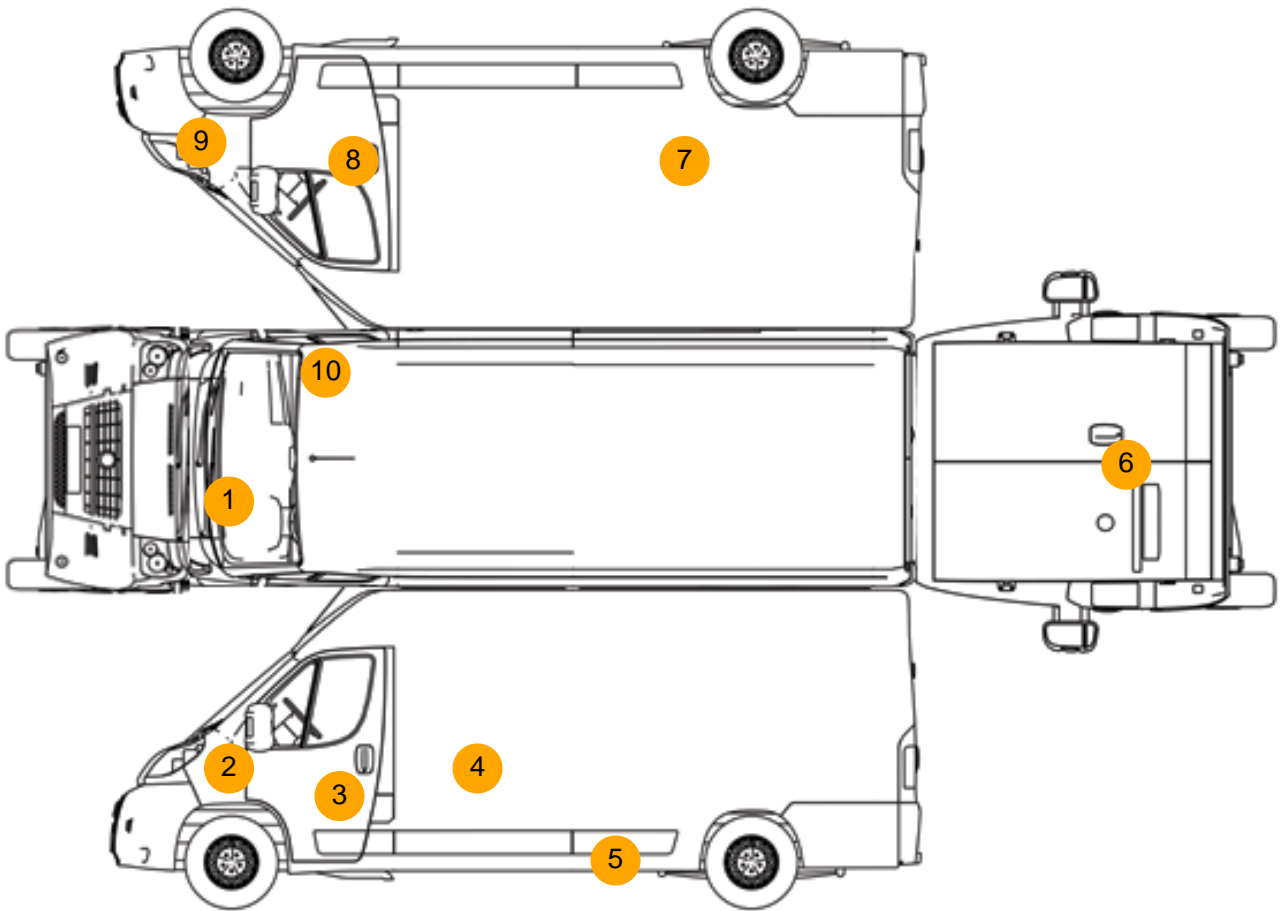
- Radio/CD
- Drivers airbag
- Air conditioning
- Passenger airbag
- Front electric windows
- Central locking
- Metallic Paint
- Cloth seat trim

Photos





Condition Check



Damage Photos



1: Bonnet
Chipped
Multiple Chips



2: Wing nsf
Dented
Over 30mm



3: Door nsf
Dented
Between 10mm + 30mm



4: Door nsr
Dented
Over 30mm



5: Door Moulding nsr
Scuffed (Unpainted)
Over 100mm



6: Tailgate
Dented
With Paint Damage



7: Qtr Panel nsr
Scratched
Over 25mm Thru Paint



8: Door osf
Dented
Over 30mm



9: Wing osf
Dented
Over 30mm



10: Roof
Chipped
Multiple Chips

Interior

Carpet Condition Average
Seat Condition Average

Upholstery Condition Average
Odour No

Vehicle Inspection Report

Disclaimer

Photographs, inspection reports and other descriptions are primarily for the use of customers using our LiveBid facility who are not able to attend the sale in person. Those who bid in person must satisfy themselves as to the condition of the vehicle before they bid; we cannot address post-sale issues which rely solely on our reports, descriptions and/or photographs.

Additional fees may apply to some vendors.

Please note buyers rate increase from 01/01/2025

Engine Runs	OK	Gearbox 1st and Reverse Test	OK
Brakes	OK	Clutch Slip Test from Static	OK
Turbo Boosting	OK	Gearbox Static Gear Selection (engine running)	OK
Parking Brake	OK	No Excessive Smoking	OK
EML light illuminated	OK	Oil warning light illuminated	OK
Airbag light illuminated	OK	DPF light illuminated	OK
ABS light illuminated	OK	Service indicator light illuminated	OK
Windows	OK	Radio	OK
		Steering	OK