

VEHICLE INSPECTION REPORT

GD19RDU

Mitsubishi L200 Double Cab DI-D 178 Titan 4WD

nama
 GRADE
3

Inspection		Vehicle	
Serious Damage?	No	VAT	Plus VAT
		V5	Present

Details

Reg. date	26/06/2019	Colour	RED	Service history	None
Year	2019	VIN	MMCJJKL10JH010855	MOT Due	15/07/2026
Mileage	242,562 Miles Warranted	Body Style	Pick-up	Gearbox	MANUAL
Fuel Type	Diesel	Keys	1	Gears	6

No service history. Steering noisy when in full lock
 Dpf light flashing

Tyres

NSF	MICHELIN	7.0mm
NSR	MICHELIN	7.0mm
OSF	MICHELIN	7.0mm
OSR	MICHELIN	7.0mm
Spare		

Features

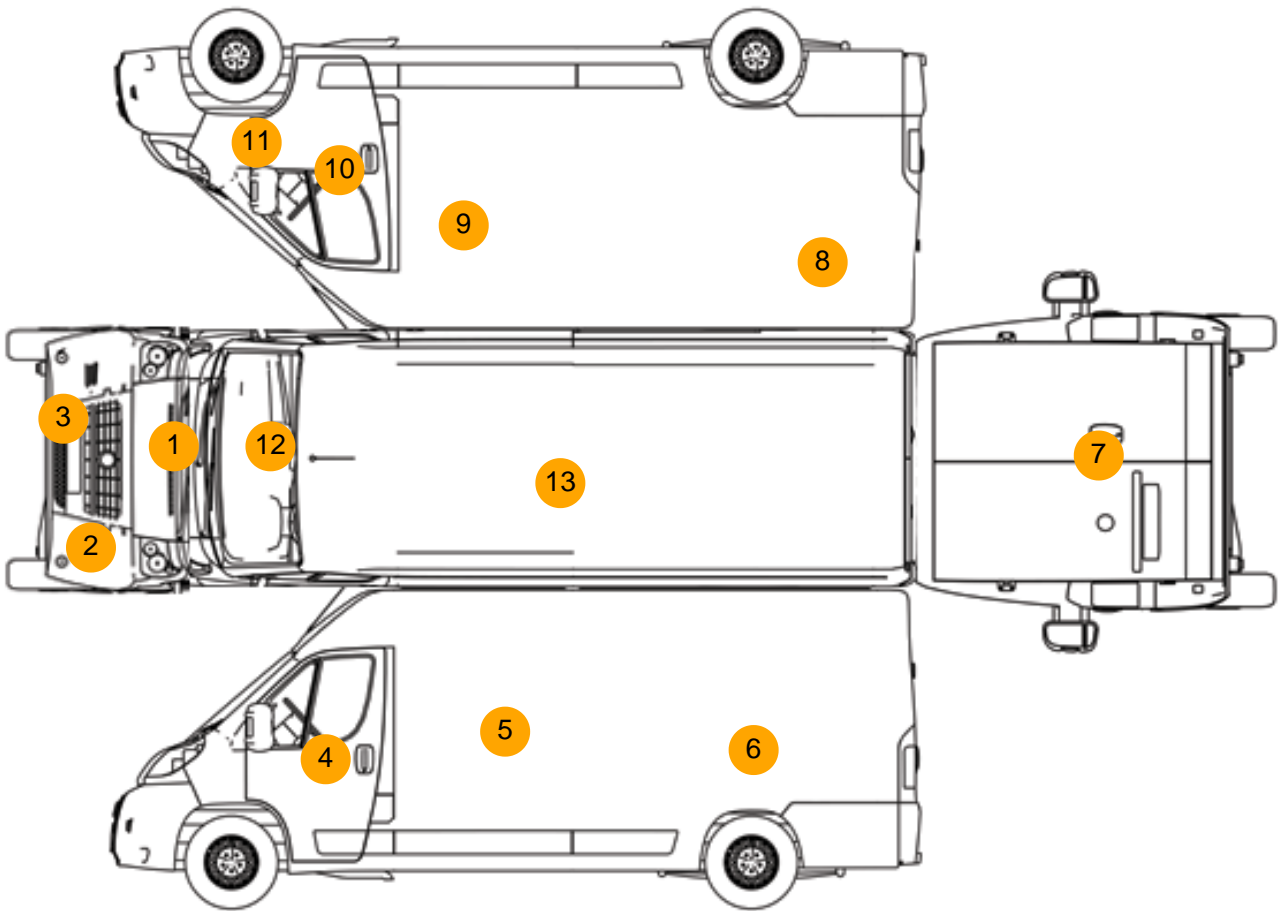
- Bluetooth connection
- Air conditioning
- Drivers airbag
- Cruise control
- Front electric windows
- Passenger airbag
- Navigation system
- Rear electric windows
- Central locking
- Digital radio
- Metallic Paint
- Cloth seat trim

Photos





Condition Check



Damage Photos



1: Bonnet
Dented
With Paint Damage



2: Bumper Front
Scratched
Over 100mm Thru Paint



3: Bumper Front Moulding
Broken
Replace



4: Door nsf
Dented
Between 10mm + 30mm



5: Door nsr
Chipped
1 To 5



6: Qtr Panel nsr
Chipped
Over 5mm



7: Tailgate
Dented
Over 30mm



8: Qtr Panel osr
Dented
Between 10mm + 30mm



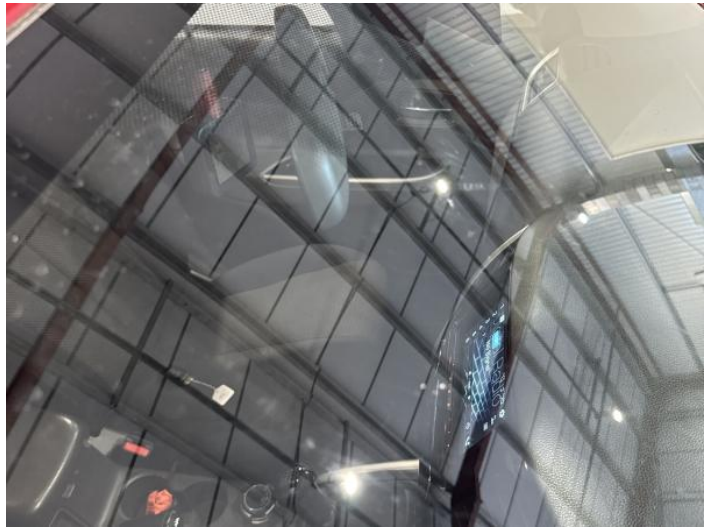
9: Door osr
Poor Previous Repair
Poor Paint



10: Door osf
Chipped
Edge Chip



11: Wing Front Arch Extension os
Scratched (Painted)
Over 25mm Thru Paint



12: Screen Front
Chipped
UpTo 10mm



13: Roof
Scratched
Over 25mm Thru Paint

Interior

Carpet Condition
Seat Condition

Average
Average

Upholstery Condition
Odour

Average
No

Vehicle Inspection Report

Disclaimer

Photographs, inspection reports and other descriptions are primarily for the use of customers using our LiveBid facility who are not able to attend the sale in person. Those who bid in person must satisfy themselves as to the condition of the vehicle before they bid; we cannot address post-sale issues which rely solely on our reports, descriptions and/or photographs.

Additional fees may apply to some vendors.

Please note buyers rate increase from 01/01/2025

Engine Runs	OK	Gearbox 1st and Reverse Test	OK
Brakes	OK	Clutch Slip Test from Static	OK
Parking Brake	OK	Gearbox Static Gear Selection (engine running)	OK
		No Excessive Smoking	OK
EML light illuminated	OK	Oil warning light illuminated	OK
Airbag light illuminated	OK	DPF light illuminated	Fault
ABS light illuminated	OK	Service indicator light illuminated	OK
Windows	OK	Radio	OK
Sat nav	OK	Steering	Fault