

VEHICLE INSPECTION REPORT

LF68BJY

Ford Transit Custom 2.0 EcoBlue 130ps Low Roof Limited Van

Inspection		Vehicle	
Serious Damage?	No	VAT	Plus VAT
		V5	Present

nama
GRADE
4

Details

Reg. date	10/09/2018	Body Style	Panel Van	Last service miles	90,998
Year	2018	Keys	2	MOT Due	09/09/2026
Mileage	100,817 Miles Warranted	Service history	Yes	Gearbox	MANUAL
Fuel Type	Diesel	Service documents	Printout	Gears	6
Colour	WHITE	Number of stamps	5		
VIN	WF0YXTTGYJS57522	Last service date	03/09/2025		

£100 ADDITIONAL FEE

Last service 03/09/2025 at 90,998 miles- 5 main dealer services

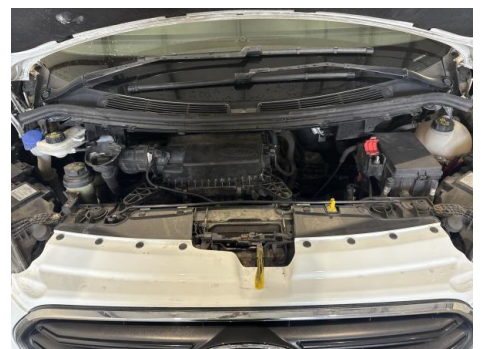
Tyres

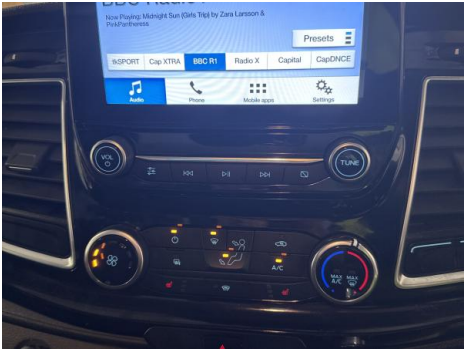
NSF	FALKEN	6.0mm
NSR	HANKOOK	5.0mm
OSF	FALKEN	6.0mm
OSR	HANKOOK	5.0mm
Spare		

Features

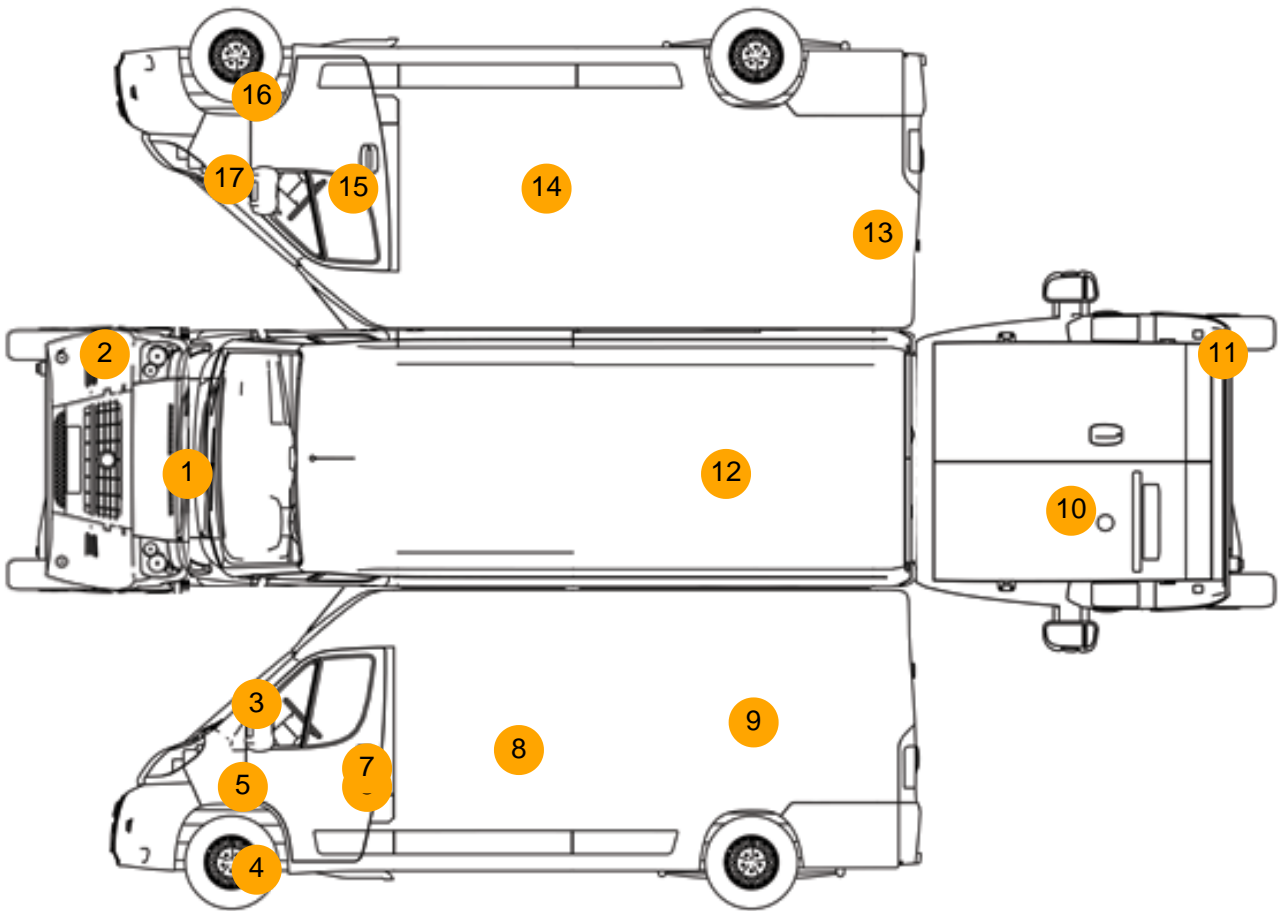
- Bluetooth connection
- Rear parking sensor
- Drivers airbag
- Cruise control
- Digital radio
- Passenger airbag
- Front parking sensor
- Air conditioning
- Central locking
- Heated front seat
- Front electric windows
- Cloth seat trim

Photos





Condition Check



Damage Photos



1: Bonnet
Dented
With Paint Damage



2: Bumper Front
Chipped
1 To 5



3: Door Mirror Assy
Scratched (Painted)
Over 25mm Thru Paint



4: Wheel nsf
Scratched
Over 50mm



5: Wing nsf
Scratched
Over 25mm Thru Paint



6: Door nsf
Dented
Between 10mm + 30mm



7: Handle Outer nsf
Scratched (Painted)
Up To 25mm Thru Paint



8: Door nsr
Dented
With Paint Damage



9: Qtr Panel nsr
Dented
With Paint Damage



10: Tailgate
Dented
With Paint Damage



11: Bumper Rear
Dented
With Paint Damage



12: Roof
Dented
Over 30mm



13: Qtr Panel osr
Dented
With Paint Damage



14: Panel Front
Dented
Between 10mm + 30mm



15: Door osf
Rusted
Over 5mm



16: Wheel osf
Scratched
Up To 50mm



17: Wing osf
Chipped
1 To 5



18: Door osf
Dented
With Paint Damage

Interior

Carpet Condition Average
Seat Condition Average

Upholstery Condition Average
Odour No

Vehicle Inspection Report

Disclaimer

Photographs, inspection reports and other descriptions are primarily for the use of customers using our LiveBid facility who are not able to attend the sale in person. Those who bid in person must satisfy themselves as to the condition of the vehicle before they bid; we cannot address post-sale issues which rely solely on our reports, descriptions and/or photographs.

Additional fees may apply to some vendors.

Please note buyers rate increase from 01/01/2025

Engine Runs	OK	Gearbox 1st and Reverse Test	OK
Brakes	OK	Clutch Slip Test from Static	OK
Parking Brake	OK	Gearbox Static Gear Selection (engine running)	OK
		No Excessive Smoking	OK

EML light illuminated	OK	Oil warning light illuminated	OK
Airbag light illuminated	OK	DPF light illuminated	OK
ABS light illuminated	OK	Service indicator light illuminated	OK
Windows	OK	Radio	OK
		Steering	OK