



VEHICLE INSPECTION REPORT

EO66JWG

Ford Ranger Pick Up Double Cab Wildtrak 3.2 TDCi 200 Auto

Inspection		Vehicle	
Serious Damage?	No	VAT	Margin
		V5	Present

nama
GRADE
4

Details

Reg. date	06/10/2016	Body Style	Pick-up	Last service miles	86,078
Year	2016	Keys	1	MOT Due	30/06/2026
Mileage	115,776 Miles Warranted	Service history	Yes	Gearbox	AUTOMATIC
Fuel Type	Diesel	Service documents	Service Book	Gears	6
Colour	BLACK	Number of stamps	6		
VIN	6FPPXXMJ2PGE87270	Last service date	14/07/2023		

£100 ADDITIONAL FEE

LAST SERVICE 14/07/2023 @ 86,078 MILES (6 SERVICES, 5 MAIN DEALER) Engine noisy runs on high rpm
 Noisy when switched off

Tyres

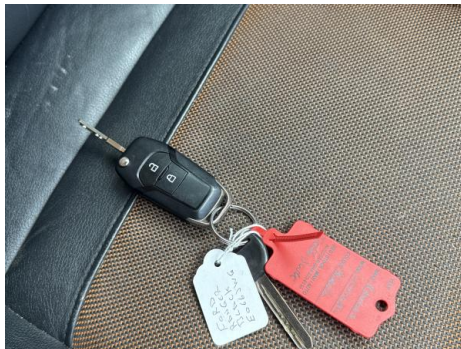
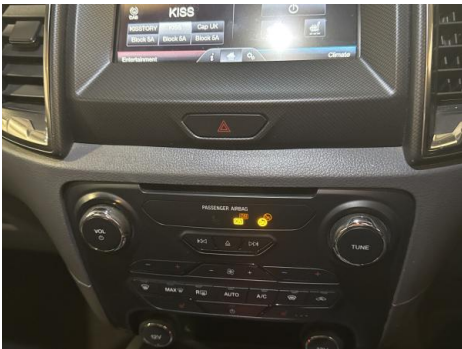
NSF	LAUFENN	6.0mm
NSR	LAUFENN	5.0mm
OSF	LAUFENN	5.0mm
OSR	LAUFENN	5.0mm
Spare		

Features

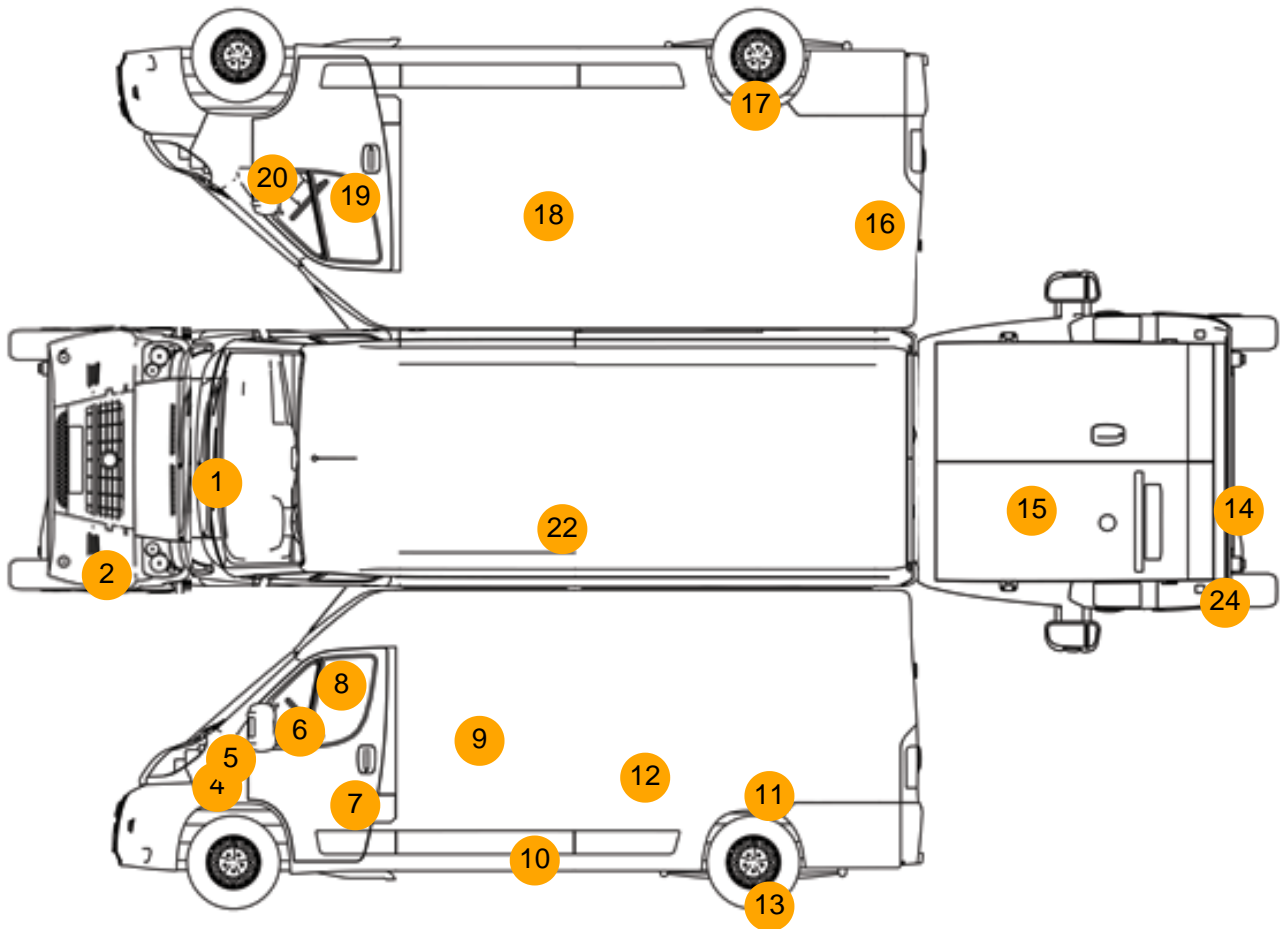
- Bluetooth connection
- Navigation system
- Air conditioning
- Drivers airbag
- Cruise control
- Park assist camera
- Front electric windows
- Passenger airbag
- Front parking sensor
- Rear parking sensor
- Rear electric windows
- Central locking
- Heated front seat
- Digital radio
- Metallic Paint
- Partial leather seat trim

Photos





Condition Check



Damage Photos



1: Bonnet
Chipped
Multiple Chips



2: Bumper Front
Scratched
25 to 100mm Thru Paint



3: Bumper Front
Insecure
Action Required



4: Wing nsf
Dented
Between 10mm + 30mm



5: Wing nsf
Chipped
1 To 5



6: Flasher Side Repeater ns
Broken
Replace



7: Door nsf
Dented
2 Or Less UpTo 10mm



8: Door nsf
Chipped
1 To 5



9: Door nsr
Dented
Between 10mm + 30mm



10: Door nsr
Scratched
Over 25mm Thru Paint



11: Qtr Panel nsr
Dented
Over 30mm



12: Qtr Panel nsr
Scratched
Over 25mm Thru Paint



13: Wheel nsr
Corroded
Light



14: Bumper Rear
Dented
With Paint Damage



15: Tailgate
Dented
With Paint Damage



16: Qtr Panel osr
Chipped
1 To 5



17: Wheel osr
Corroded
Light



18: Door osr
Dented
With Paint Damage



19: Door osf
Dented
With Paint Damage



20: Wing osf
Dented
Between 10mm + 30mm



21: Seat Base Cover osf
Torn
Over 3mm



22: Roof
Scratched
Over 25mm Thru Paint



23: Carpets Front
Holed
Over 3mm



24: Bumper Rear Moulding
Missing
Replace

Interior

Carpet Condition Average
Seat Condition Average

Upholstery Condition Average
Odour No

Vehicle Inspection Report

Disclaimer

Photographs, inspection reports and other descriptions are primarily for the use of customers using our LiveBid facility who are not able to attend the sale in person. Those who bid in person must satisfy themselves as to the condition of the vehicle before they bid; we cannot address post-sale issues which rely solely on our reports, descriptions and/or photographs.

Additional fees may apply to some vendors.

Please note buyers rate increase from 01/01/2025

Engine Runs	Fault	Gearbox 1st and Reverse Test	OK
Brakes	OK	Gearbox Static Gear Selection (engine running)	OK
Turbo Boosting	OK	No Excessive Smoking	OK
Parking Brake	OK		

EML light illuminated	OK	Oil warning light illuminated	OK
Airbag light illuminated	OK	DPF light illuminated	OK
ABS light illuminated	OK	Service indicator light illuminated	OK
Windows	OK	Radio	OK
Sat nav	OK	Steering	OK